

GE Sensing

Features

- UL recognized resettable fuse; UL File E82830; UL Category XGPU2 (Thermistor type devices)
 - Low cost solid state fuse
 - Available in a broad range of resistances, transition temperatures and voltage ratings
 - Exhibits large positive increases in resistance with temperature
 - Wide range of trip and non-trip currents; from 30 mA to 2.3 amps
 - Resistance/temperature characteristic is infinitely repeatable and has no hysteresis associated with its action
 - Proven quality and reliability over many years of manufacturing
 - Standard options include protective coating and tape and reeled to EIA RS-468A
-
-

PTC Type PTU

Thermometrics Over-Current Protection, UL Recognized Thermistors

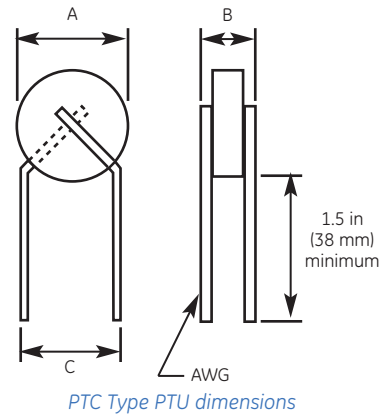
PTC Type PTU is a Thermometrics product. Thermometrics Sensor has joined other GE high-technology sensing businesses under a new name-GE Industrial, Sensing.



Type PTU Specifications

Description

UL recognized PTC disc thermistor for over-current and short-circuit protection.



Options

- Protective coating, replace "PTU" suffix with "PUC"
- Tape and reel, replace "PTU" suffix with "PUR"
- Coated and T and R, replace "PTU" suffix with "PUCR"
- Other resistances
- Other tolerances, other transition temperatures
- Alternate size and configurations
- Other voltage ratings

Operating Voltage	R25°C (±20%)	Type	U.L. Style No.	Minimum Switch Current (A)		Maximum No-Switch Current (A)		"H" Joules/°C	D.C. mW/°C	A (Maximum)		B (Maximum)		C (ref.)		AWG No.
				32°F (0°C)	77°F (25°C)	77°F (25°C)	131°F (55°C)			in	mm	in	mm	in	mm	
5	0.5	RL6505-5-110-5-PTU	L/005-NC-0001/B	2.32	2.07	1.40	1.02	0.8	18	0.70	17.78	0.16	4.06	0.33	8.38	20
12	1.0	RL5506-1.0-110-12-PTU	L/012-LC-0001/B	1.45	1.29	0.87	0.64	0.7	14	0.60	15.24	0.15	3.81	0.33	8.38	22
12	2.5	RL3506-2.5-110-12-PTU	L/012-HC-0003/B	0.73	0.65	0.44	0.32	0.3	9	0.40	10.16	0.15	3.81	0.25	6.35	24
12	5.0	RL2506-5.0-110-12-PTU	L/012-FC-0005/B	0.49	0.44	0.29	0.22	0.15	8	0.30	7.62	0.15	3.81	0.15	3.81	24
12	10.0	RL2006-10-110-12-PTU	L/012-EC-0010/B	0.30	0.27	0.18	0.13	0.11	6	0.25	6.35	0.15	3.81	0.15	3.81	24
12	0.2	RL9905-0.2-120-12-PTU	M/012-UC-0001/B	4.93	4.43	3.06	2.37	1.9	29.9	1.10	27.94	0.15	3.81	0.33	8.38	22
12	0.5	RL6505-0.5-120-12-PTU	M/012-NC-0001/B	2.42	2.17	1.50	1.16	0.8	18.0	0.71	18.03	0.15	3.81	0.33	8.38	24
12	1.0	RL4805-1.0-120-12-PTU	M/012-KC-0001/B	1.36	1.22	0.84	0.65	0.4	11.4	0.54	13.72	0.15	3.81	0.25	6.35	24
12	2.5	RL3005-2.5-120-12-PTU	M/012-GC-0003/B	0.67	0.61	0.42	0.32	0.2	7.0	0.36	9.14	0.15	3.81	0.15	3.81	24
12	5.0	RL2105-5.0-120-12-PTU	M/012-EC-0005/B	0.38	0.34	0.23	0.18	0.08	4.4	0.27	6.86	0.15	3.81	0.15	3.81	24
12	10.0	RL1505-10-120-12-PTU	M/012-DC-0010/B	0.22	0.20	0.13	0.10	0.9	2.9	0.21	5.33	0.15	3.81	0.15	3.81	24
25	1.5	RL7008-1.5-110-25-PTU	L/025-OD-0002/B	1.34	1.19	0.81	0.59	1.5	18	0.75	19.05	0.18	4.57	0.33	8.38	20
25	3.0	RL5008-3.0-110-25-PTU	L/025-KD-0003/B	0.84	0.74	0.50	0.37	0.8	14	0.55	13.97	0.18	4.57	0.33	8.38	22
25	0.5	RL7006-0.5-120-25-PTU	M/025-OC-0001/B	2.46	2.21	1.52	1.18	0.8	18.6	0.75	19.05	0.16	4.06	0.33	8.38	22
25	1.0	RL5006-1.0-120-25-PTU	M/025-KC-0001/B	1.41	1.27	0.87	0.68	0.4	12.2	0.55	13.97	0.16	4.06	0.33	8.38	22
25	1.5	RL4006-1.5-120-25-PTU	M/025-IC-0002/B	1.00	0.90	0.62	0.48	0.3	9.3	0.45	11.43	0.16	4.06	0.25	6.35	24
25	3.0	RL2806-3.0-120-25-PTU	M/025-GC-0003/B	0.58	0.52	0.36	0.28	0.2	6.2	0.33	8.38	0.16	4.06	0.15	3.81	24
25	5.0	RL2206-5.0-120-25-PTU	M/025-EC-0005/B	0.39	0.35	0.24	0.19	1.1	4.6	0.28	7.11	0.16	4.06	0.15	3.81	24

Operating Voltage	R25°C (±20%)	Type	U.L. Style No.	Minimum Switch Current		Maximum No-Switch Current		"H" Joules/°C	D.C. mW/°C	A (Maximum)		B (Maximum)		C (ref.)		AWG No.
				32°F (0°C)	77°F (25°C)	77°F (25°C)	131°F (55°C)			in	mm	in	mm	in	mm	
50	5.0	RL5508-50-110-50-PTU	L/050-LD-0005/B	0.65	0.58	0.39	0.29	1.0	14	0.60	15.24	0.17	4.32	0.33	8.38	24
50	10.0	RL4008-10-110-50-PTU	L/050-ID-0010/B	0.39	0.34	0.23	0.17	0.5	10	0.45	11.43	0.17	4.32	0.25	6.35	24
50	20.0	RL3008-20-110-50-PTU	L/050-GD-0020/B	0.24	0.22	0.15	0.11	0.3	8	0.35	8.89	0.16	4.06	0.25	6.35	24
50	50.0	RL2008-50-110-50-PTU	L/050-ED-0050/B	0.14	0.13	0.09	0.06	0.1	7	0.25	6.35	0.16	4.06	0.15	3.81	24
50	1.0	RL7506-1.0-120-50-PTU	M/050-PC-0001/B	1.85	1.66	1.15	0.89	1.5	21.0	0.80	20.32	0.16	4.06	0.33	8.38	22
50	2.5	RL5006-2.5-120-50-PTU	M/050-KC-0003/B	0.91	0.82	0.56	0.44	0.7	12.7	0.55	13.97	0.16	4.06	0.33	8.38	22
50	5.0	RL3506-5.0-120-50-PTU	M/050-HC-0005/B	0.51	0.46	0.32	0.25	0.3	8.1	0.40	10.16	0.16	4.06	0.25	6.35	24
50	10.0	RL2506-10-120-50-PTU	M/050-FC-0010/B	0.31	0.28	0.19	0.15	0.2	6.0	0.30	7.62	0.16	4.06	0.15	3.81	24
50	25.0	RL2006-25-120-50-PTU	M/050-EC-0025/B	0.17	0.15	0.10	0.08	0.1	4.4	0.25	6.35	0.16	4.06	0.15	3.81	24
50	50.0	RL1606-50-120-50-PTU	M/050-DC-0050/B	0.11	0.09	0.07	0.05	0.07	3.4	0.21	5.33	0.16	4.06	0.10	2.54	24
120	10.0	RL7512-10-110-120-PTU	L/120-PF-0010/B	0.55	0.49	0.33	0.24	2.7	20	0.80	20.32	0.23	5.84	0.33	8.38	20
120	20.0	RL5512-20-110-120-PTU	L/120-LF-0020/B	0.32	0.29	0.19	0.14	1.4	14	0.60	15.24	0.23	5.84	0.33	8.38	20
120	50.0	RL3512-50-110-120-PTU	L/120-HF-0050/B	0.16	0.15	0.10	0.07	0.6	9	0.40	10.16	0.22	5.59	0.25	6.35	22
120	100.0	RL2512-100-110-120-PTU	L/120-FF-0100/B	0.11	0.10	0.07	0.05	0.3	8	0.30	7.62	0.22	5.59	0.15	3.81	22
120	2.5	RL9910-2.5-120-120-PTU	M/120-UE-0003/B	1.46	1.31	0.90	0.70	4.6	32.6	1.04	26.42	0.20	5.08	0.33	8.38	20
120	5.0	RL7510-5.0-120-120-PTU	M/120-PE-0005/B	0.81	0.72	0.50	0.39	2.2	20.0	0.80	20.32	0.20	5.08	0.33	8.38	22
120	10.0	RL5010-10-120-120-PTU	M/120-KE-0010/B	0.48	0.43	0.30	0.23	1.2	14.2	0.55	13.97	0.20	5.08	0.33	8.38	24
120	20.0	RL3510-20-120-120-PTU	M/120-HE-0020/B	0.27	0.25	0.17	0.13	0.6	9.2	0.40	10.16	0.20	5.08	0.25	6.35	24
120	50.0	RL2310-50-120-120-PTU	M/120-FE-0050/B	0.14	0.13	0.09	0.07	0.2	6.0	0.28	7.11	0.20	5.08	0.15	3.81	24
120	100.0	RL2006-100-120-120-PTU	M/120-EC-0100/B	0.09	0.08	0.05	0.04	0.1	4.3	0.25	6.35	0.16	4.06	0.15	3.81	24
240	50.0	RL6320-50-110-240-PTU	L/240-NH-0050/B	0.23	0.21	0.14	0.10	3.1	18	0.70	17.78	0.32	8.13	0.33	8.38	18
240	100.0	RL4520-100-110-240-PTU	L/240-JH-0100/B	0.14	0.12	0.08	0.06	1.6	13	0.50	12.70	0.30	7.62	0.33	8.38	20
240	200.0	RL3020-200-110-240-PTU	L/240-GH-0200/B	0.08	0.07	0.05	0.03	0.7	8	0.35	8.89	0.29	7.37	0.25	6.35	22
240	5.0	RL9912-5-120-240-PTU	M/240-UF-0005/B	1.05	0.94	0.65	0.50	5.7	33.7	1.04	26.42	0.22	5.59	0.33	8.38	20
240	10.0	RL7512-10-120-240-PTU	M/240-PF-0010/B	0.62	0.56	0.38	0.30	3.2	23.6	0.80	20.32	0.22	5.59	0.33	8.38	22
240	20.0	RL5512-20-120-240-PTU	M/240-LF-0020/B	0.37	0.33	0.23	0.18	1.8	16.8	0.60	15.24	0.22	5.59	0.33	8.38	22
240	50.0	RL3512-50-120-240-PTU	M/240-HF-0050/B	0.18	0.16	0.11	0.09	0.7	9.9	0.40	10.16	0.22	5.59	0.25	6.35	22
240	100.0	RL2412-100-120-240-PTU	M/240-FF-0100/B	0.11	0.10	0.07	0.05	0.3	7.0	0.29	7.37	0.22	5.59	0.15	3.81	24
240	200.0	RL2012-200-120-240-PTU	M/240-EF-0200/B	0.07	0.06	0.04	0.03	0.2	5.7	0.25	6.35	0.22	5.59	0.15	3.81	24
480	25.0	RL7024-25-120-480-PTU	M/480-OI-0025/B	0.39	0.35	0.24	0.19	3.7	23.4	0.75	19.05	0.34	8.64	0.33	8.38	20
480	50.0	RL4820-50-120-480-PTU	M/480-KH-0050/B	0.22	0.20	0.14	0.11	1.8	15.4	0.53	13.46	0.28	7.11	0.33	8.38	20
480	100.0	RL4517-100-120-480-PTU	M/480-JG-0100/B	0.16	0.14	0.10	0.08	1.8	15.4	0.51	12.95	0.24	6.10	0.25	6.35	22
480	200.0	RL4517-200-120-480-PTU	M/480-JG-0200/B	0.11	0.10	0.07	0.05	1.8	15.4	0.51	12.95	0.24	6.10	0.25	6.35	22

GE
Sensing



©2006 GE. All rights reserved.
920-304A

All specifications are subject to change for product improvement without notice.
GE® is a registered trademark of General Electric Co. Other company or product
names mentioned in this document may be trademarks or registered trademarks
of their respective companies, which are not affiliated with GE.

www.gesensing.com